

**Community Services Department**

3474 North Fulton Avenue  
Hapeville, Georgia 30354  
(404) 669 - 2120

**Application Form for a Sign Permit**

Approved \_\_\_\_\_ Denied \_\_\_\_\_

Date Submitted JUL 28 2019

Permit No. \_\_\_\_\_

Applicant: Henry Graphics Email: kWhiting@henrygraphics.com

Name of Business: Academy Theatre Suite Number: \_\_\_\_\_

Address of Building, structure or lot where the sign is to be attached or erected:  
599 N. Central Avenue Hapeville, GA 30354 Zoning Classification: \_\_\_\_\_

Applicant's Mailing Address: 1030 Parkway Industrial Park Drive Buford, GA 30518

Phone: 404-443-4788 Do You Own this building? Yes \_\_\_\_\_ No

(If you do not own the property, please submit a letter of authorization from the property owner)

Property Owner (s): City of Hapeville  
(Please list a contact name for the company that owns the building)

Mailing Address: 3468 North Fulton Ave. Hapeville 30354 Phone: Lee Sudduth 404-669-2100

Name of person, firm, corporation, or association erecting the sign: Henry Graphics, Inc.

Address: 1030 Parkway Industrial Park Dr. Buford Phone: 404-443-4788

Email: kWhiting@henrygraphics.com Type of Sign Blade

Type of Materials: Acrylic & Aluminium Linear Feet of Building or Tenant Frontage: 76'4" LF

Length of Sign 3'0" Height of Sign 13'4" Total Square Footage of Sign 405F

List and describe all other signs located on the lot:

Type of Sign	Size of Sign	Placement of Sign

**Please submit with your application:**

- Two sets of accurately scaled drawings of the plans, contents, specifications, and method of construction and attachment to the building or the ground for the sign must be submitted.
- A scaled drawing of the site showing drives, structures, setbacks from utility lines, property lines and street right of way and other site features must be submitted if you are requesting a pole or ground sign.
- A true colored picture or drawing of the proposed signage.
- Each application for a sign permit must be accompanied by a payment for the permit fee consisting of: **\$100.00. Each permit for a mural is \$50.00.**

I hereby make application for a Sign Permit to the City of Hapeville, Georgia. I do hereby swear or affirm that the information provided here and above is true, complete and accurate, and I understand that any inaccuracies may be considered just cause for invalidation of this application and any action taken on this application. I understand that the City of Hapeville, Georgia, reserves the right to enforce any and all ordinances regardless of any action or approval on this application. I further understand that it is my/our responsibility to conform with all of City of Hapeville's Ordinances in full. I hereby acknowledge that all requirements of the City of Hapeville shall be adhered too. I can read and write the English language and/or this document has been read and explained to me and I have full and voluntarily completed this application. I understand that it is a felony to make false statements or writings to the City of Hapeville, Georgia pursuant to O.C.G.A. 16-10-20 and I may be prosecuted for a violation thereof.

\_\_\_\_\_  
**Applicant's signature**

**Date:** \_\_\_\_\_

**Sworn to and subscribed before me**

This \_\_\_\_\_ day of \_\_\_\_\_, 20\_\_\_\_\_.

\_\_\_\_\_  
**Notary Public**

**The issuance of a Sign Permit in no way allows the applicant to violate any regulation or ordinance of the City of Hapeville. Nor will the issuance of a sign permit be interpreted to allow for any violation of any ordinance or regulation of the City of Hapeville, Georgia.**





1030 Parkway  
Industrial Park Drive  
Buford, GA 30518  
T: 770-932-3222  
F: 770-614-3056

www.henrygraphics.com

All signs, designs and plans indicated or represented by this drawing are the property of Henry Graphics, Inc. and are intended and provided for use in connection with the specified project. They are not to be used, reproduced or copied in whole or in part and all rights are reserved upon receipt. None of such signs, designs or plans shall be used by or disclosed to any person, firm or corporation for any purpose whatsoever without the written permission of Henry Graphics, Inc.  
Vendor dimensions on these drawings shall have precedence over scaled dimensions. Contractors shall verify and be responsible for all dimensions and conditions shown by zoning ordinances and must notify Henry Graphics, Inc. of any discrepancies. Shop drawings must be submitted to Henry Graphics, Inc. for approval prior to purchasing, fabricating and installation.  
Copyright © 2018 Henry Graphics, Inc.

**CLIENT**  
Hapeville - Academy Theatre

**PROJECT**  
Canopy & Blade Sign: LED  
Billboards & Building ID

**PROJECT LOCATION**  
599 N Central Ave  
Atlanta, GA 30354

DESIGNER	ACCOUNT REP
Chelsea Sunshine csunshine@henrygraphics.com	Shannon Henry shenry@henrygraphics.com

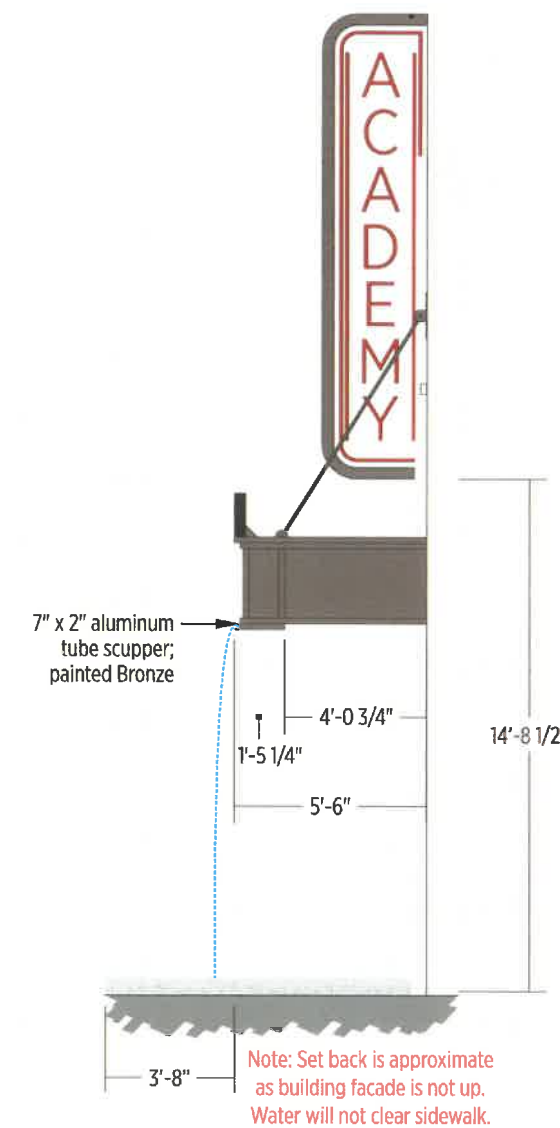
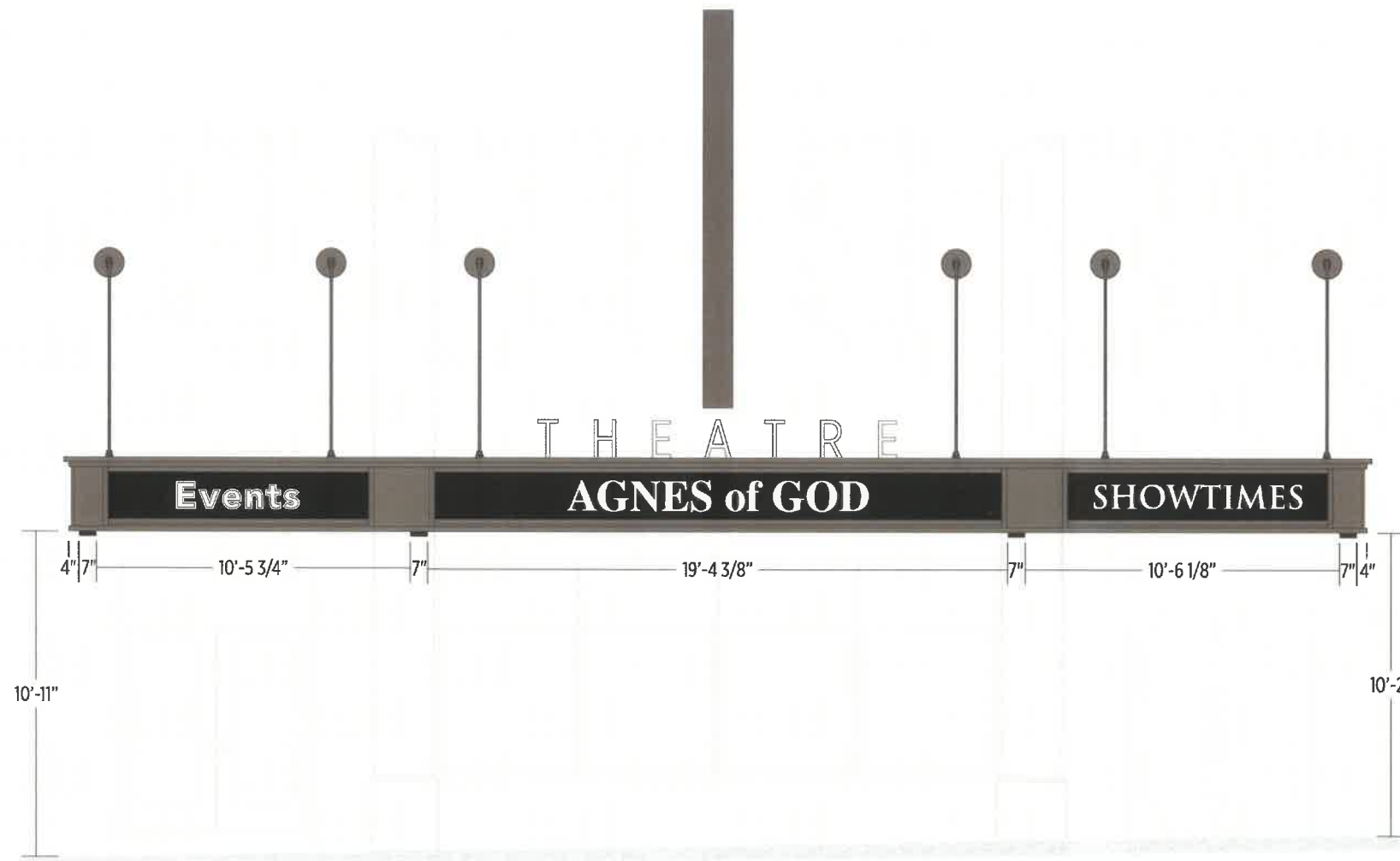
**COLORS/FINISHES**

White	Bronze (To match building) TBD	Black
-------	--------------------------------------	-------

DATE	DESCRIPTION
09-07-18	Initial submittal
10-30-18	Revisions
02-07-19	Revisions
03-13-19	Revisions
3-26-19	Mounting method revision
05-02-19	Revisions
06-18-19	Adding Height for Blade
06-21-19	Adding square footage

**CLIENT APPROVAL / DATE**

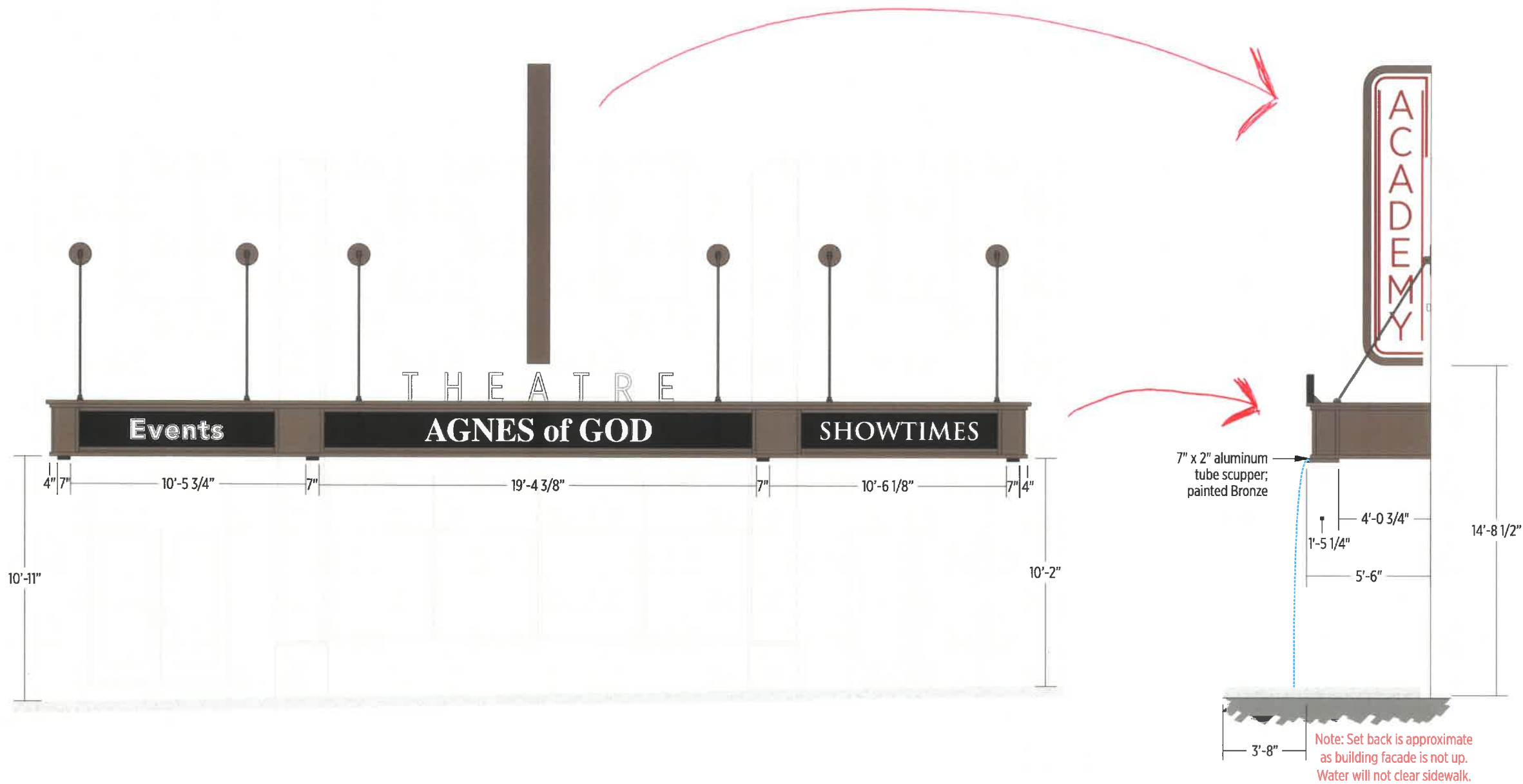
SCALE	SHEET
As noted	<b>01.03</b>



**1** **DETAIL @ DOWN SPOUT**  
01.03 Scale: 3/16"=1'-0"

Looking at sign from front

View Walking down sidewalk



1 DETAIL @ DOWN SPOUT  
01.03 Scale: 3/16"=1'-0"



1030 Parkway  
Industrial Park Drive  
Buford, GA 30518  
T: 770-932-3222  
F: 770-614-3056

www.henrygraphics.com

All ideas, designs and values indicated or represented by this drawing are the property of Henry Graphics, Inc. and were created and developed for the specific project. They are not to be used, reproduced or copied in whole or in part and shall be returned upon request. None of such ideas, designs or plans shall be used by or disclosed to any person, firm or corporation for any purpose whatsoever without the written permission of Henry Graphics, Inc.  
Written provisions on these drawings shall have precedence over scaled dimensions. Contractors shall verify and be responsible for all dimensions and conditions shown by these drawings and must notify Henry Graphics, Inc. of any discrepancies. Shop drawings must be submitted to Henry Graphics, Inc. for approval prior to proceeding with fabrication and installation.  
Copyright © 2018 Henry Graphics, Inc.

CLIENT  
Hapeville - Academy Theatre

PROJECT  
Canopy & Blade Sign: LED  
Billboards & Building ID

PROJECT LOCATION  
599 N Central Ave  
Atlanta, GA 30354

DESIGNER	ACCOUNT REP
Chelsea Sunshine csunshine@henrygraphics.com	Shannon Henry shenry@henrygraphics.com

COLORS/FINISHES

White	Bronze	Black
	(To match building)	
	TBD	

DATE	DESCRIPTION
09-07-18	Initial submittal
10-30-18	Revisions
02-07-19	Revisions
03-13-19	Revisions
3-26-19	Mounting method revision
05-02-19	Revisions
06-18-19	Adding Height for Blade
06-21-19	Adding square footage
06-25-19	Modifying blade mount

CLIENT APPROVAL / DATE

SCALE	SHEET
As noted	01.03

Sign Type B: Blade

Hapeville - Academy Theatre, Atlanta GA



1030 Parkway  
Industrial Park Drive  
Buford, GA 30518  
T: 770-932-3222  
F: 770-614-3056

www.henrygraphics.com

All ideas, designs and plans reflected or represented by this drawing are the property of Henry Graphics, Inc. and are hereby made available for use in connection with the project depicted. They are not to be used, reproduced or copied in whole or in part and will be returned upon request. None of such ideas, designs or plans shall be used by or in service to any person, firm or corporation for any purpose whatsoever without the written permission of Henry Graphics, Inc.  
Written dimensions on these drawings shall have precedence over scaled dimensions. Customers shall verify and be responsible for all dimensions and conditions shown on these drawings and must notify Henry Graphics, Inc. of any discrepancies. Shop drawings must be submitted to Henry Graphics, Inc. for approval prior to proceeding with fabrication and installation.  
Copyright © 2018 Henry Graphics, Inc.

**CLIENT**  
Hapeville - Academy Theatre

**PROJECT**  
Canopy & Blade Sign: LED  
Billboards & Building ID

**PROJECT LOCATION**  
599 N Central Ave  
Atlanta, GA 30354

DESIGNER	ACCOUNT REP
Chelsea Sunshine csunshine@henrygraphics.com	Shannon Henry shenry@henrygraphics.com

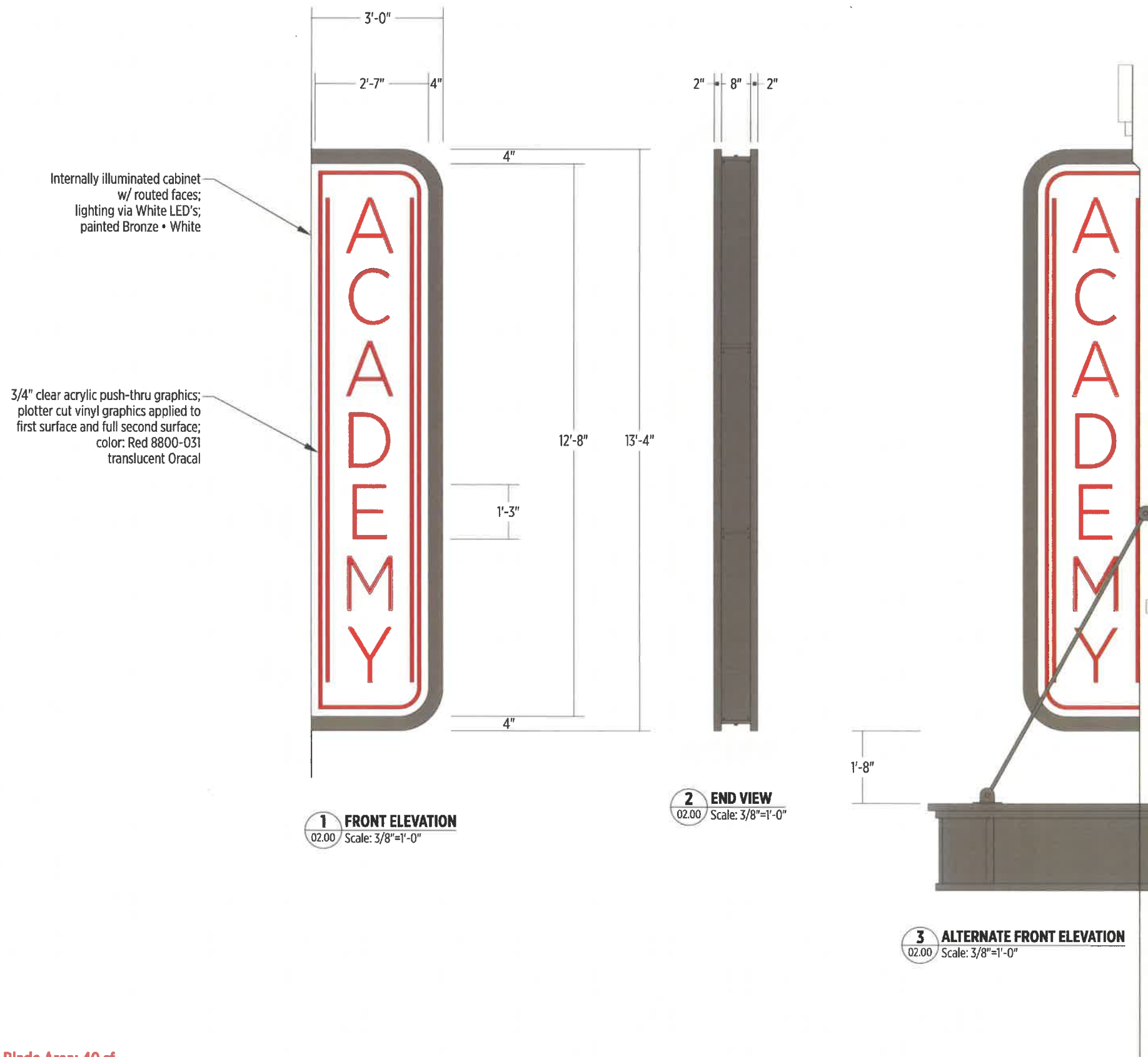
**COLORS/FINISHES**

Red 8800-031 translucent Oracal	Bronze	White

DATE	DESCRIPTION
09-07-18	Initial submittal
10-30-18	Revisions
02-07-19	Revisions
03-13-19	Revisions
3-26-19	Mounting method revision
05-02-19	Revisions
06-18-19	Adding Height for Blade
06-21-19	Adding square footage

**CLIENT APPROVAL / DATE**

SCALE	SHEET
As noted	02.00



Total Blade Area: 40 sf

Qty: One (1) D/F



1030 Parkway  
Industrial Park Drive  
Buford, GA 30518  
T: 770-932-3222  
F: 770-614-3056

www.henrygraphics.com

All ideas, designs and views indicated or represented by this drawing are the property of Henry Graphics, Inc. and will remain the property of Henry Graphics, Inc. unless otherwise stated. Any reproduction or use of this drawing or any part thereof without the written permission of Henry Graphics, Inc. is strictly prohibited. All dimensions and materials shown on this drawing are subject to change without notice. All dimensions are in feet and inches unless otherwise noted. All materials are to be of the highest quality and are to be installed in accordance with the manufacturer's instructions. All materials are to be installed in accordance with the manufacturer's instructions. All materials are to be installed in accordance with the manufacturer's instructions.

**CLIENT**

Hapeville - Academy Theatre

**PROJECT**

Canopy & Blade Sign: LED  
Billboards & Building ID

**PROJECT LOCATION**

599 N Central Ave  
Atlanta, GA 30354

**DESIGNER**      **ACCOUNT REP**

Chelsea Sunshine      Shannon Henry  
csunshine@henrygraphics.com      shenry@henrygraphics.com

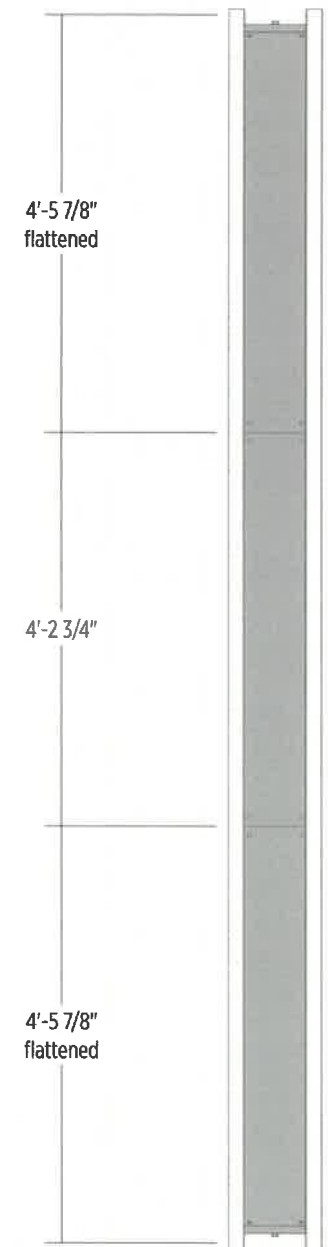
**COLORS/FINISHES**

DATE	DESCRIPTION
09-07-18	Initial submittal
10-30-18	Revisions
02-07-19	Revisions
03-13-19	Revisions
3-26-19	Mounting method revision
05-02-19	Revisions
06-18-19	Adding Height for Blade
06-21-19	Adding square footage

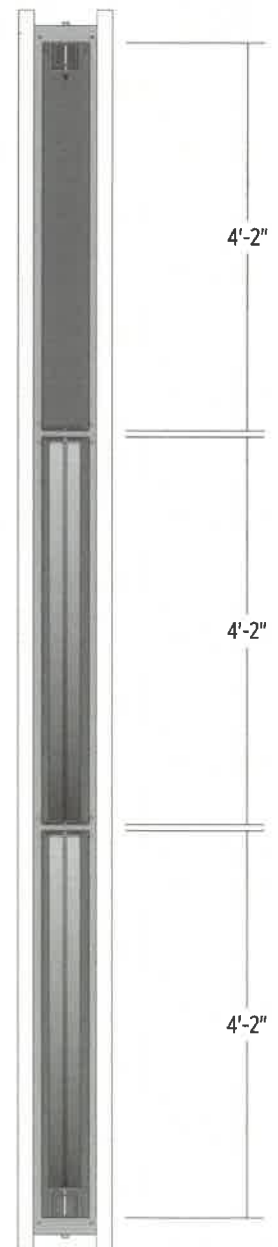
**CLIENT APPROVAL / DATE**

**SCALE**      **SHEET**

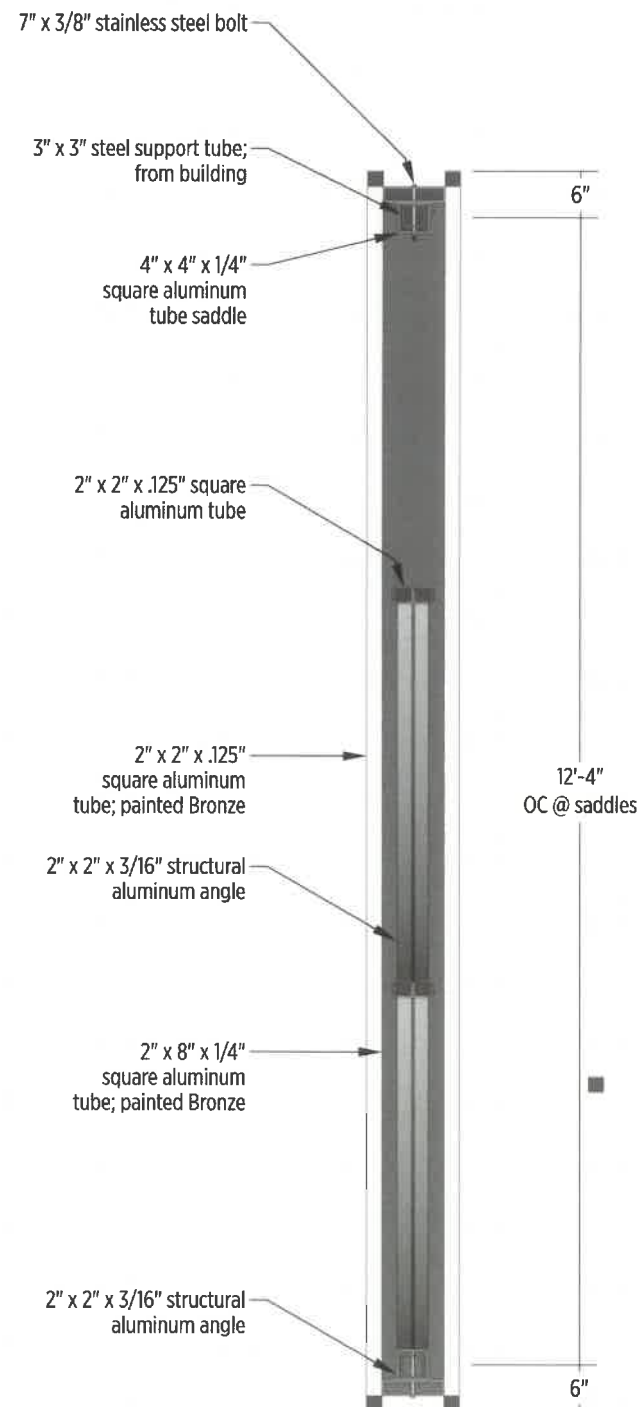
As noted      **02.01**



**1 FRAMING DETAIL**  
02.01 Scale: 1/2"=1'-0"



**1 DETAIL @ Tube Opening**  
02.01 Scale: 1/2"=1'-0"



**2 SECTION FRAMING DETAIL**  
02.01 Scale: 1/2"=1'-0"



1030 Parkway  
Industrial Park Drive  
Buford, GA 30518  
T: 770-932-3222  
F: 770-614-3056

[www.henrygraphics.com](http://www.henrygraphics.com)

All design, design and plans indicated or represented by the drawing are the property of Henry Graphics, Inc. and used in whole or in part and shall be returned upon request. None of the design, design or plans shall be used by or disclosed to any person, firm or corporation for any purpose whatsoever without the written permission of Henry Graphics, Inc.  
Vendor dimensions on these drawings shall have precedence over scaled dimensions. Contractor shall verify and be responsible for all dimensions and installers comply with these drawings and must notify Henry Graphics, Inc. of any discrepancies. Shop drawings must be submitted to Henry Graphics, Inc. for approval prior to proceeding with fabrication and installation.  
Copyright © 2018 Henry Graphics, Inc.

**CLIENT**

Hapeville - Academy Theatre

**PROJECT**

Canopy & Blade Sign; LED  
Billboards & Building ID

**PROJECT LOCATION**

599 N Central Ave  
Atlanta, GA 30354

**DESIGNER**      **ACCOUNT REP**

Chelsea Sunshine      Shannon Henry  
[csunshine@henrygraphics.com](mailto:csunshine@henrygraphics.com)      [shenry@henrygraphics.com](mailto:shenry@henrygraphics.com)

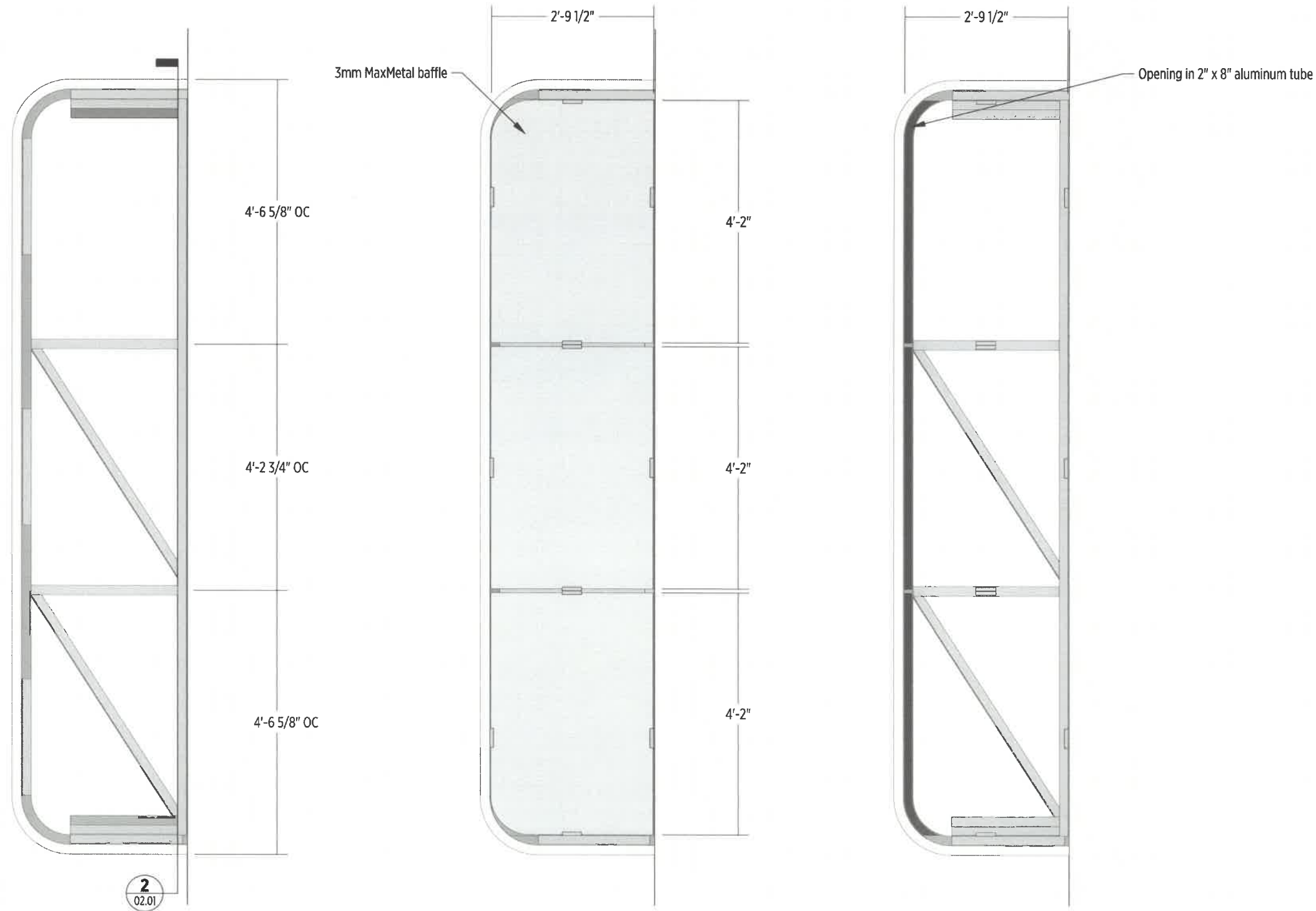
**COLORS/FINISHES**

DATE	DESCRIPTION
09-07-18	Initial submittal
10-30-18	Revisions
02-07-19	Revisions
03-13-19	Revisions
3-26-19	Mounting method revision
05-02-19	Revisions
06-18-19	Adding Height for Blade
06-21-19	Adding square footage

**CLIENT APPROVAL / DATE**

**SCALE**      **SHEET**

As noted      **02.02**



**1 FRAMING DETAIL**  
02.02 Scale: 1/2"=1'-0"

**2 DETAIL @ Internal LED Baffle**  
02.02 Scale: 1/2"=1'-0"

**3 DETAIL @ Tube Opening**  
02.02 Scale: 1/2"=1'-0"





1030 Parkway  
Industrial Park Drive  
Buford, GA 30518  
T: 770-932-3222  
F: 770-614-3056

www.henrygraphics.com

All ideas, designs and plans created or represented by this drawing are the property of Henry Graphics, Inc. and were created and developed for use in connection with the specified project; they are not to be copied, reproduced or copied in whole or in part and shall be returned upon request. None of such ideas, designs or plans shall be copied or disclosed in any process, form or substance for any purpose whatsoever without the written permission of Henry Graphics, Inc.  
Written dimensions on these drawings shall have precedence over scaled dimensions. Contractors shall verify and be responsible for all dimensions and conditions shown by these drawings and must notify Henry Graphics, Inc. of any discrepancies. Shop drawings must be submitted to Henry Graphics, Inc. for approval prior to proceeding with fabrication and installation.  
Copyright © 2018 Henry Graphics, Inc.

**CLIENT**  
Hapeville - Academy Theatre

**PROJECT**  
Canopy & Blade Sign: LED Billboards & Building ID

**PROJECT LOCATION**  
599 N Central Ave  
Atlanta, GA 30354

DESIGNER	ACCOUNT REP
Chelsea Sunshine csunshine@henrygraphics.com	Shannon Henry shenry@henrygraphics.com

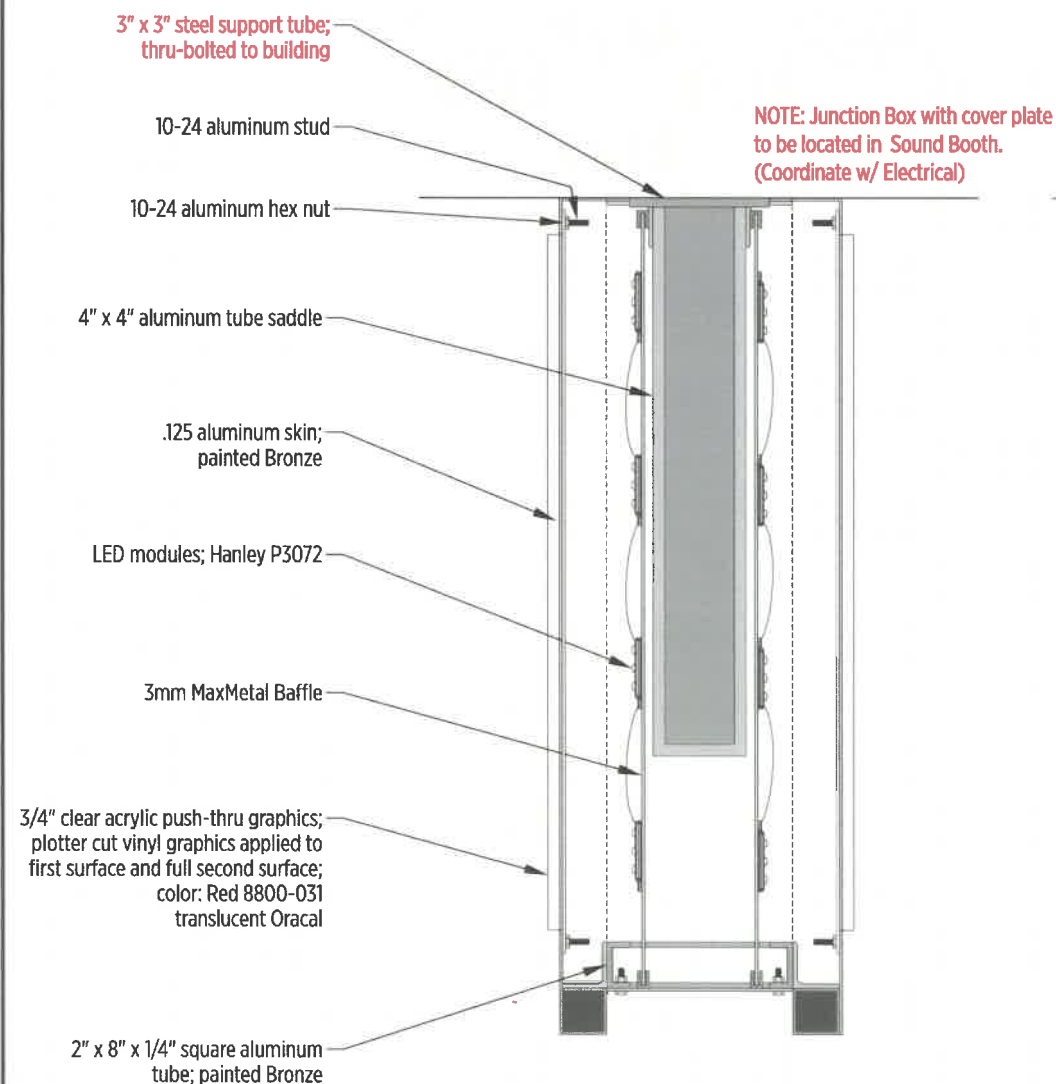
**COLORS/FINISHES**

Red 8800-031 translucent Oracal	Bronze	White
---------------------------------------	--------	-------

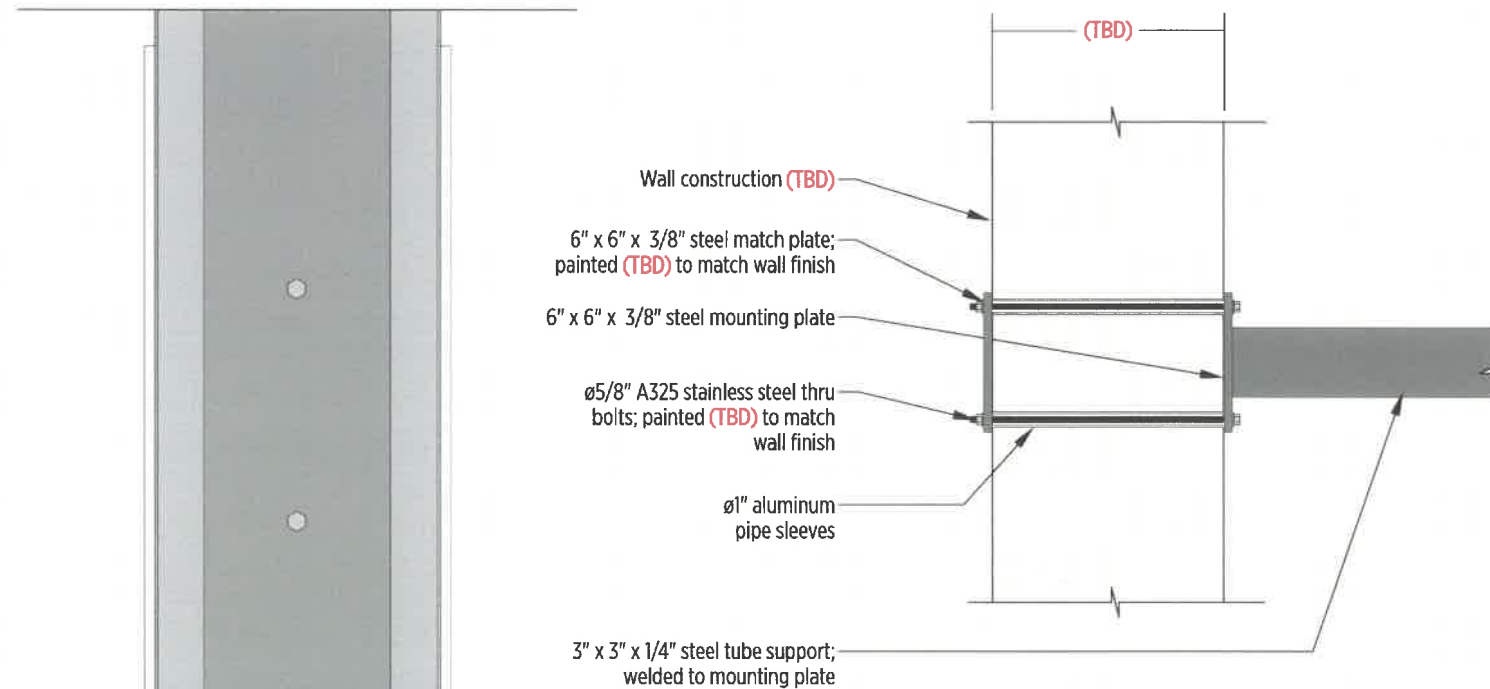
DATE	DESCRIPTION
09-07-18	Initial submittal
10-30-18	Revisions
02-07-19	Revisions
03-13-19	Revisions
3-26-19	Mounting method revision
05-02-19	Revisions
06-18-19	Adding Height for Blade
06-21-19	Adding square footage
06-25-19	Modifying blade mount

**CLIENT APPROVAL / DATE**

SCALE	SHEET
As noted	02.03



**1 INTERNAL LIGHTING DETAIL**  
02.03 Scale: 1-1/2"=1'-0"



**2 FRAMING DETAIL**  
02.03 Scale: 1-1/2"=1'-0"

**3 DETAIL @ Steel Support Poles**  
02.03 Scale: 1 1/2"=1'-0"